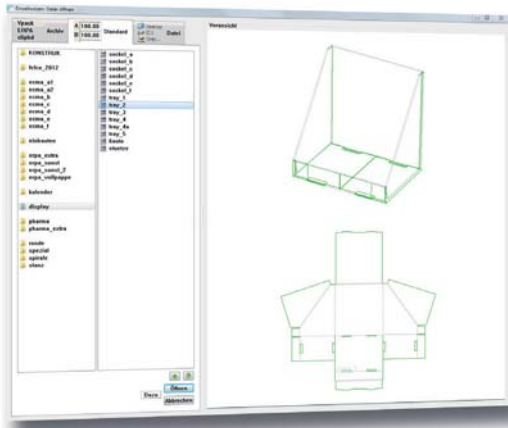


VERPAK® is ERPA's award-winning and innovative 3D CAD/CAM - design software that was especially tailored to the packaging industry (e.g. corrugated board, cardboard, foil, display etc.). **VERPAK**® opens the spectrum of the most innovative possibilities in packaging design plus data integration, structural analysis and virtualisation in 3D.

With **VERPAK light** we offer an easy to understand, flexible and quick applicable solution for your entry, which is also low-priced. **VERPAK light** gives you the possibility, without any previous knowledge, by using a sustainable standard packaging library with more than 850 standards, to start constructing packagings and displays. The key features of our CAD/CAM software **VERPAK light** are to be most effective and productive. Upgrading from 2D CAD/CAM license **VERPAK light** up to a full version of **VERPAK** or 3D CAD/CAM license **VERPAK**® is possible at any time.



Efficiency

Time Savings and Increase in Quality

- Large design library, featuring more than 850 ECMA / PHARMA / FEFCO / DISPLAY standards, resulting in several thousands of packaging designs
- Saving and reloading of past and new design work at any time
- Easy to learn and use due to simple menu navigation and drag & drop
- Context adapted tooltips and help functions with examples
- Multilingual, modern user interface and icons, based on the international windows style

Company-Specific Adaptation of Software Operations

- ERPA standard drawing sheet inclusive integrated customer logo/text
- Direct export of vector data to Zünd cutting machines (also possible via Pro Cut)
- Free definable grid/coordinate system with task-specific display of coordinates
- Inclusive one import/export interface (free choice: CF2, EPS, DXF or PDF)
- Operating system: Windows 7/8/10, Mac OSX, Linux

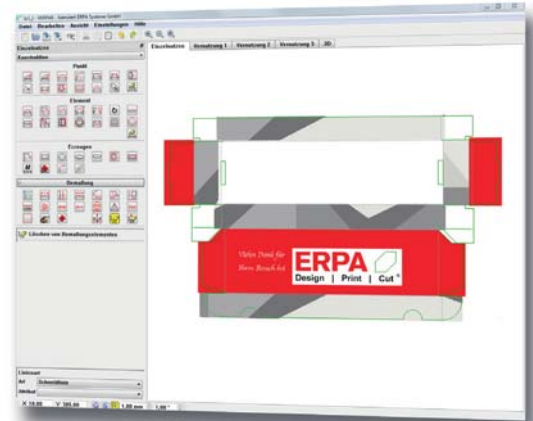
Productivity

Easy and Rapid Packaging Design

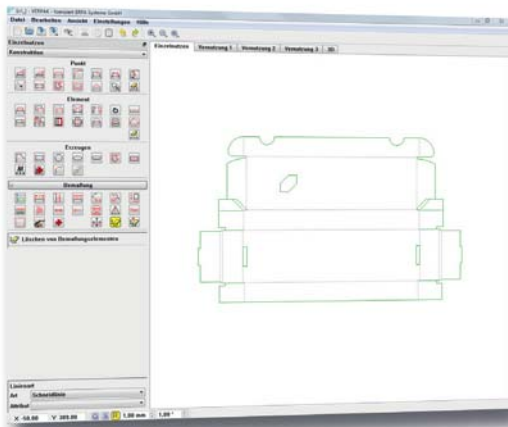
- Practical, element oriented and creative construction
- Intelligent functions for packaging design within seconds
- Visual snap-function for accurate freehand drawing
- Graphical interactive construction or coordinates via keyboard entry
- Undo and redo for multiple construction steps
- Cuttings automatically generated through several elements, retaining element structure

Overview by Graphical Feedback

- Zooming and scrolling during every drafting step
- Sheet layouts of identical or varied shaped designs while automatically showing line measures, waste material, net / gross figures, flute and fiber direction etc.
- Automatic 3D-display as wireframe graphic with hidden lines, allowing e.g. to simulate and recall folding steps
- Toolbar and helping functions detachable (e.g. for using two screens)



Presented by:



ERPA workflow solutions - Design | Print | Cut



Software- and System Solutions for the Packaging Industry

ERPA Systeme GmbH
Technische und Graphische Datenverarbeitung

Willi-Eichler-Str. 24
37079 Göttingen · Germany
www.erpa.de

phone +49 (0)551-789 50-0
Telefax +49 (0)551-789 50-77
info@erpa.de

www.vpack.de
www.verpak.de
www.palopti.de