

VPACK® is ERPA's award-winning and innovative 3D CAD/CAM - design software that was especially tailored to the packaging industry (e.g. corrugated board, cardboard, foil, display etc.). **VPACK**® opens the spectrum of the most innovative possibilities in packaging design plus data integration, structural analysis and virtualisation in 3D.

With **VERPAK light** we offer an easy to understand, flexible and quick applicable solution for your entry, which is also low-priced.

VERPAK light gives you the possibility, without any previous knowledge, by using a sustainable standard packaging library with more than 1100 standards, to start constructing packagings and displays. The key features of our CAD/CAM software

VERPAK light are to be most effective and productive. Upgrading from 2D CAD/CAM license **VERPAK light** up to a full version of **VERPAK** or 3D CAD/CAM license **VPACK**® is possible at any time.

Efficiency

Time Savings and Increase in Quality

Large design library, featuring more than 850 ECMA / PHARMA / FEFCO / DISPLAY standards, resulting in several thousands of packaging designs

Saving and reloading of past and new design work at any time

Easy to learn and use due to simple menu navigation and drag & drop

Context adapted tooltips and help functions with examples

Multilingual, modern user interface and icons, based on the international windows style

Company-Specific Adaptation of Software Operations

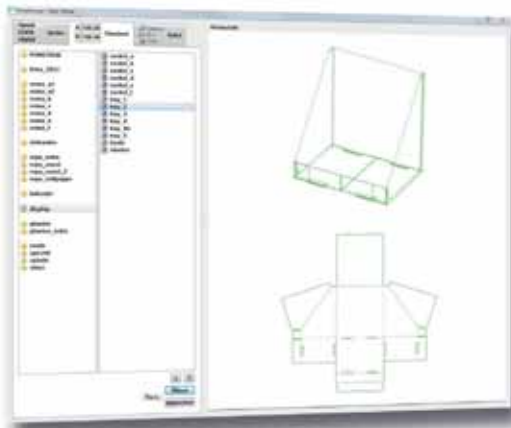
ERPA standard drawing sheet inclusive integrated customer logo/text

Direct export of vector data to Zünd cutting machines (also possible via Pro Cut)

Free definable grid/coordinate system with task-specific display of coordinates

Inclusive one import/export interface (free choice: CF2, EPS, DXF or PDF)

Operating system: Windows 7/8/10, Mac OS Sierra (10.12) or higher, Linux



Easy and Rapid Packaging Design

Practical, element oriented and creative construction

Intelligent functions for packaging design within seconds

Visual snap-function for accurate freehand drawing

Graphical interactive construction or coordinates via keyboard entry

Undo and redo for multiple construction steps

Cuttings automatically generated through several elements, retaining element structure

Overview by Graphical Feedback

Zooming and scrolling during every drafting step

Sheet layouts of identical or varied shaped designs while automatically showing line measures, waste material, net / gross figures, flute and fiber direction etc.

Automatic 3D-display as wireframe graphic with hidden lines, allowing e.g. to simulate and recall folding steps

Toolbar and helping functions detachable (e.g. for using two screens)



Presented by:

