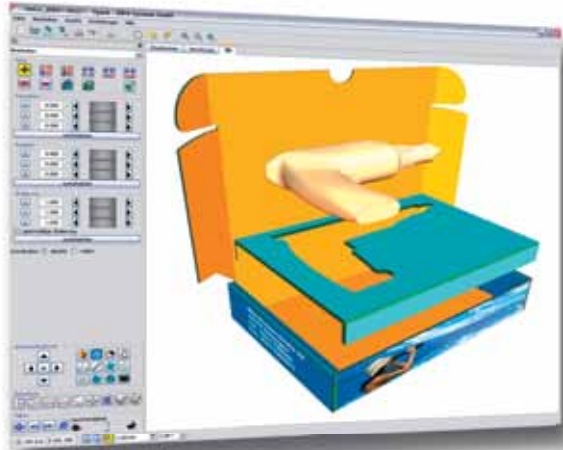


VPACK® is – next to the CAD / CAM-Software VERPAK – ERPA's innovative 3D-CAD / CAM design software that was especially tailored to the packaging industry. **V**PACK® not only incorporates all characteristics that have already made VERPAK very successful, but also opens the spectrum of the most innovative possibilities in packaging design plus data integration and structural analysis in 3D. In addition to the functionalities of VERPAK, **V**PACK® offers the following advantages to you and your company:



Innovative Packaging Design in 3D

Accurate Construction

Fluent transition between 2D and 3D

Special 3D-construction tools for the packaging industry

Displaying material thickness and hidden lines as well as the inclusion of those into the construction process, which eases accurate design and reduces the necessity to produce samples

Automatic integration of imported 3D-bodies and free outlines

Easy and Rapid Construction

Specially-tailored, company-specific integrated design standards

Independent and quick assortment of individually developed or standardized designs for assembly instructions or presentations, e.g. out of the large design library with more than 850 ECMA / PHARMA / FEFCO / DISPLAY standards, resulting in several thousands of packaging designs

Simple creation of customized packaging standards based on any design

Drag and drop functionality and context adapted tooltips

Multiple processing tools for splines

Award-Winning 3D Functions

Create company-specific data fast and easy and create volume-bodies

Visualize the product to be packaged in 3D during construction by VRML 1 + 2 STL, and AVI
Import of 3D data created by prevalent software

Optimized adjustment of the packaging towards the customers product by automatically creating cuts between the virtual packaging and 3D bodies (e.g. imported from 3D scans)

Integrated assembly group construction: all component parts of one packaging construction, e.g. of a display, can be processed at one time as a group in 2D or 3D. All parts are automatically saved as a group. As a result, the files can be directly used for parts list editing

Automatic element identification generates a foldable object in 3D out of every imported drawing in prevalent formats (CF2, EPS, DXF, PDF etc.)

Integrated outliner to intuitively create vectorized contours from graphics

3D- real-time exposure, including rendering and smooth edges



Visualization

Fast and realistic visualization of the final product by projecting imported graphics onto the packaging design and by having the packaging folded automatically

More quality, minor mistakes – Increase in quality by simple visual control of the congruence between folded packaging and print layout

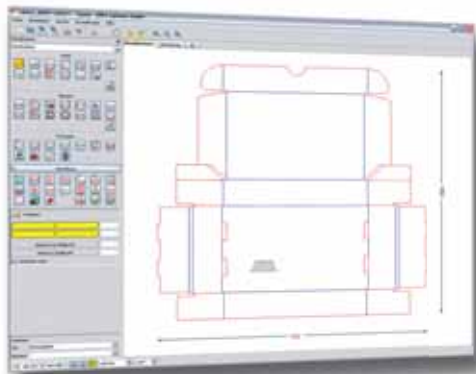
Sales and marketing support with design animation: Integrated generation of AVI and VRML 1 + 2 files facilitates the making of compressed sequences of moving pictures, which enables the user to create a short movie containing e.g. a display assembly, the folding of a packaging or the filling of cartons with the customer's product – also as timeline

Create animated 3D-PDF packaging by using the integrated 3D-PDF creator, then send this file by email, open with any Adobe reader (at version 8.1) and zoom, turn, animate

Surface editor: realistically display bevel, gloss, transparency incl. integrated material library as well as panorama-picture by Cube mapping

System solutions from one source – Design | Print | Cut – Software, Hardware, Digital printing etc.

The base of our 2D/3D-CAD/CAM software **VPACK**® is VERPAK, packaging design software developed by ERPA Systeme GmbH, whose major advantages are efficiency and flexibility in packaging design. In close collaboration with our customers, ERPA continuously advances and adapts to the latest demands in packaging design. All functions of VERPAK are the base functions of **VPACK**®.



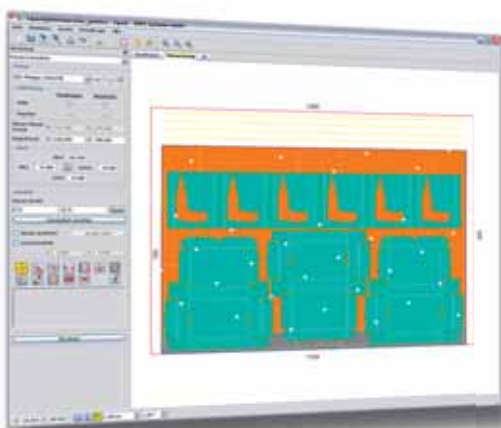
Productivity

Easy and Rapid Packaging Design

- Practical element oriented packaging construction
- Highly productive design due to drafting tools like create element, mirror, turn down, copy and many more
- Visual snap-drafting for accurate freehand drawing
- Graphical interactive construction or keyboard entry
- Undo and redo of multiple construction steps

Overview by Graphical Feedback

- Zooming and scrolling during every drafting step
- Sheet layouts of identical or variedly shaped designs while automatically showing line measures, waste material, net / gross figures, flute and grain direction etc.
- Automatic 3D-display as wireframe graphics with hidden lines, allowing e.g. to simulate and recall folding steps



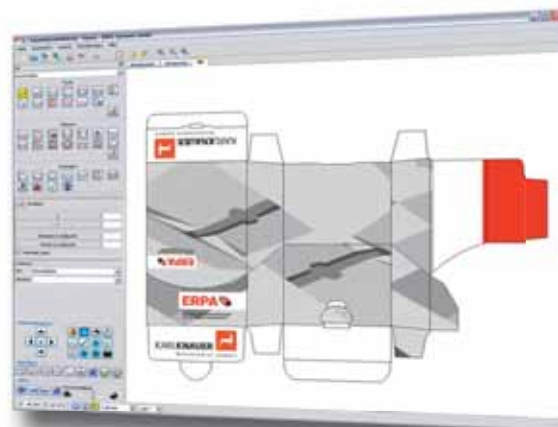
Flexibility

Adaptation of Software Operations to Company-Specific Needs

- Individually shaped input masks and printing reports including PDF generation
- Company-specific control of all prevalent plotter types
- Display and output of line attributes according to company needs
- Free definable reticule / coordinate system with task-specific display of coordinates
- Integrated: die cutting module, counter plate, tool direction
- Multiple processing tools for splines
- Support for all important data formats for graphics, print and CAD industry (e.g. CF2, EPS, DXF, PDF), additional formats can be tailored individually

Integration due to Open Interfaces

- Integration of any enterprise resource planning system by using the ERPA EDB server
- Integration of company-specific software
- Connection to any data warehouse via ERPA database server



Time Savings and Increase in Quality

- Easy to learn and use due to simple menu navigation and drag and drop
- Saving and reloading of past and new design work at any time
- Company-specific integrated packaging standards
- Large design library with more than 850 ECMA / PHARMA / FEFCO / DISPLAY standards, resulting in several thousands of packaging designs

Flexible Communications

- Company-specific data transfer to various production techniques (cutting, creasing, drafting, scoring, milling, and lasering)
- Parameterization / override of company-specific packaging standard via the easy-to-learn ERPA tool PARMUS
- Integration into company-specific functional database and organization systems
- Access to integrated design database throughout a group of companies via server or internet

Operating system: Windows XP or higher, Mac®, LINUX. A premium graphic card (Open GL) and a quadro chip are recommended for 3D application